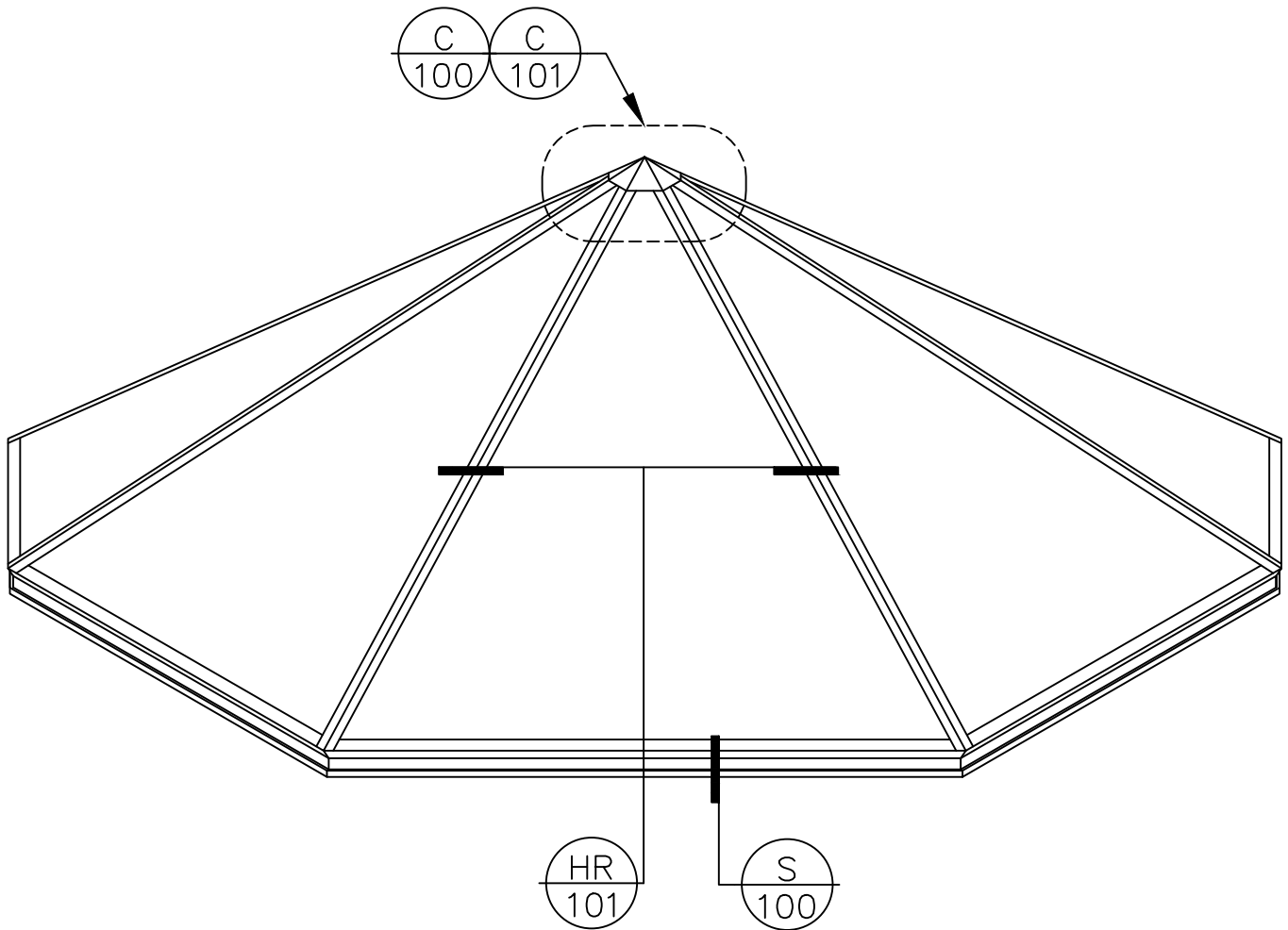


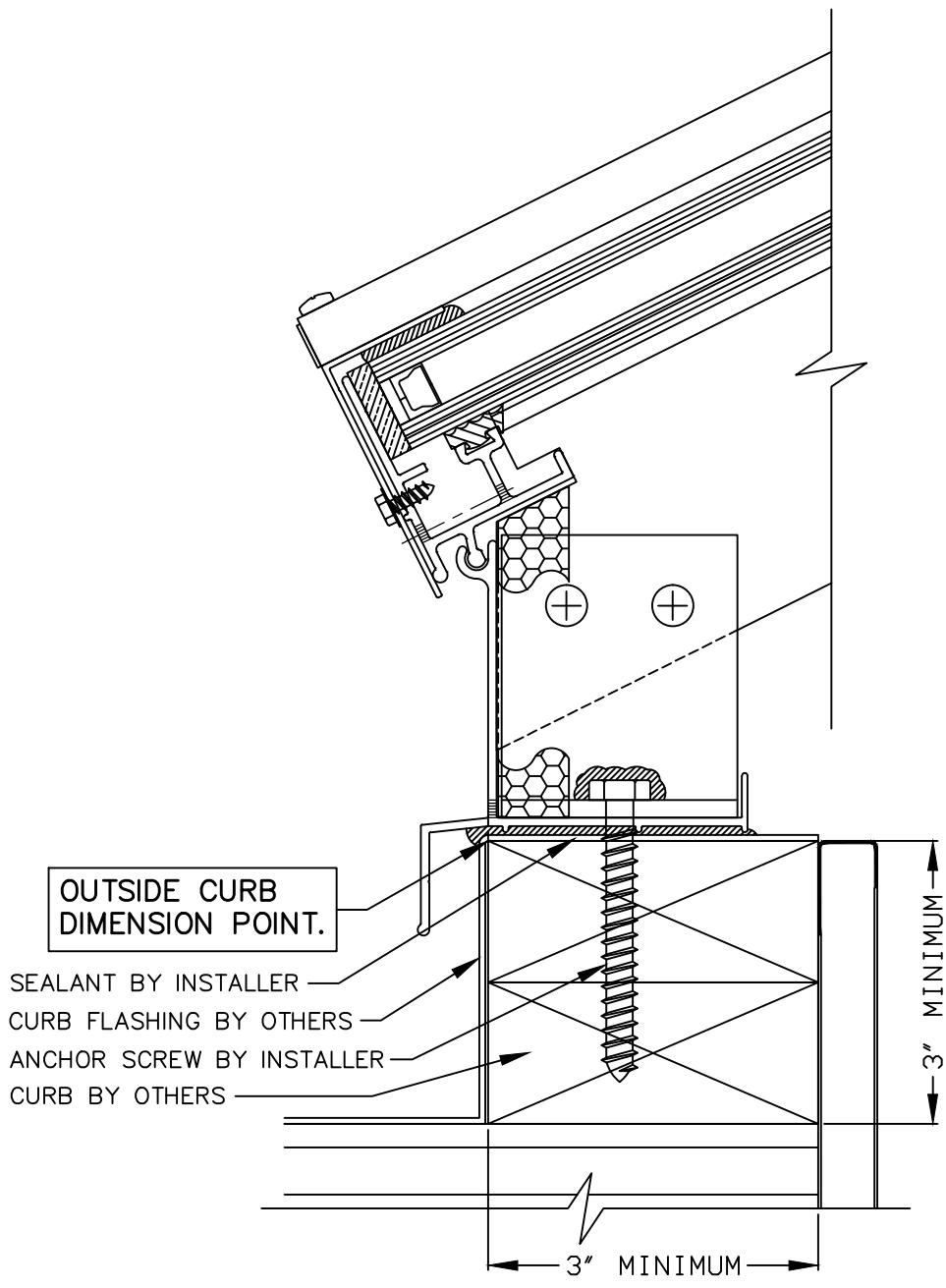
STRUCTURAL OCTAGON PYRAMID  
HEXAGON PYRAMID SIMILAR



AiA Industries.com  
290 East 56th Avenue  
Denver, CO 80216  
(303) 296-9696

2010 STRUCTURAL  
OCTAGON  
PYRAMID  
HEXAGON PYRAMID SIMILAR

PLAN  
ISO

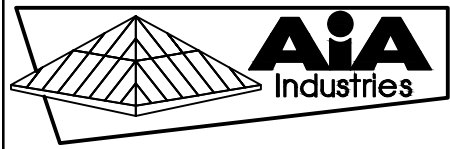


OUTSIDE CURB  
DIMENSION POINT.

- SEALANT BY INSTALLER
- CURB FLASHING BY OTHERS
- ANCHOR SCREW BY INSTALLER
- CURB BY OTHERS

3" MINIMUM

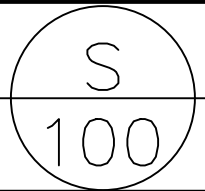
3" MINIMUM

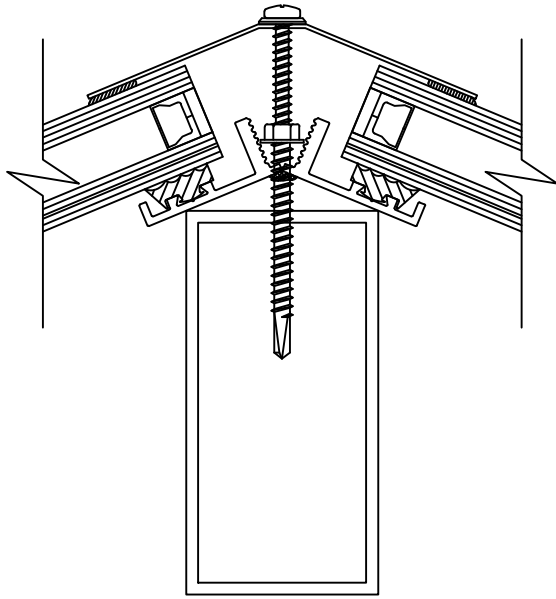


AiA Industries.com  
290 East 56th Avenue  
Denver, CO 80216  
(303) 296-9696

2010 STRUCTURAL  
OCTAGON PYRAMID

**SILL**

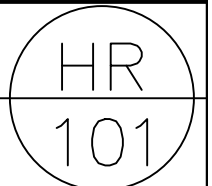


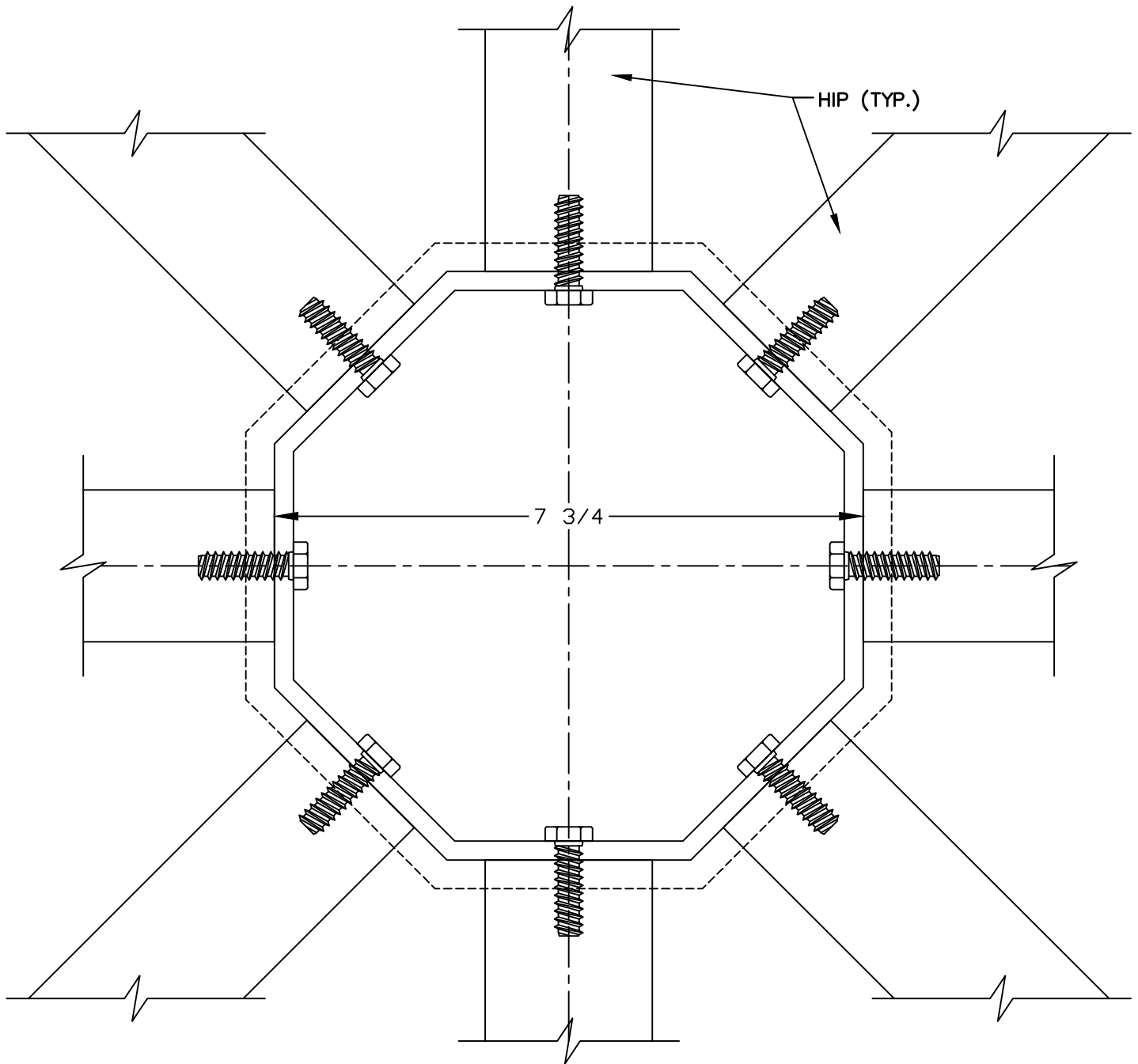


AiA Industries.com  
290 East 56th Avenue  
Denver, CO 80216  
(303) 296-9696

2010 STRUCTURAL  
OCTAGON PYRAMID

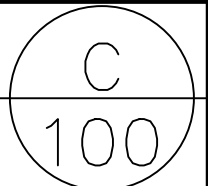
HIP

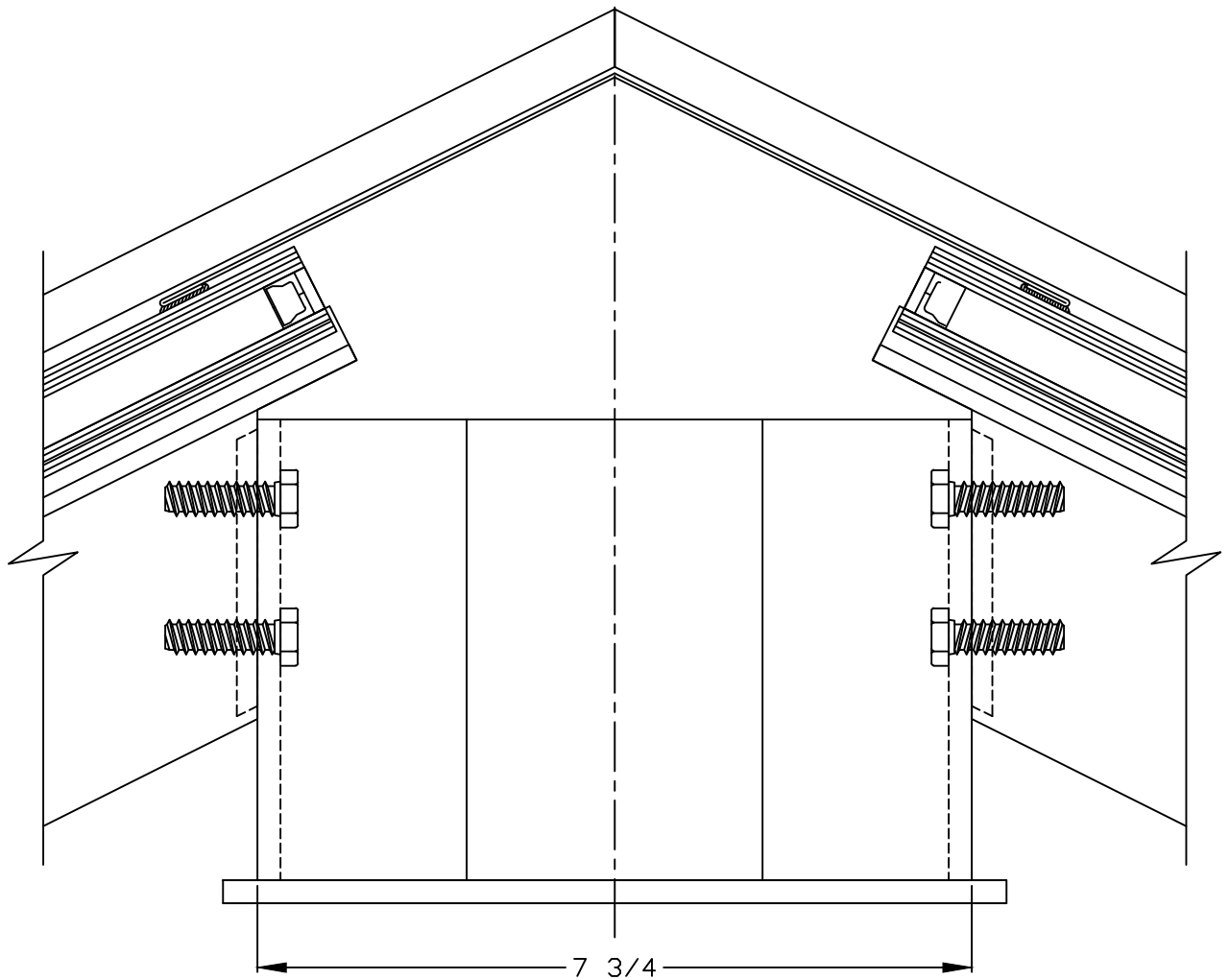




AiA Industries.com  
 290 East 56th Avenue  
 Denver, CO 80216  
 (303) 296-9696

2010 STRUCTURAL  
 OCTAGON PYRAMID  
 COMPRESSION  
 RING PLAN





AiA Industries.com  
 290 East 56th Avenue  
 Denver, CO 80216  
 (303) 296-9696

2010 STRUCTURAL  
 OCTAGON PYRAMID  
**COMPRESSION**  
**RING SECTION**

