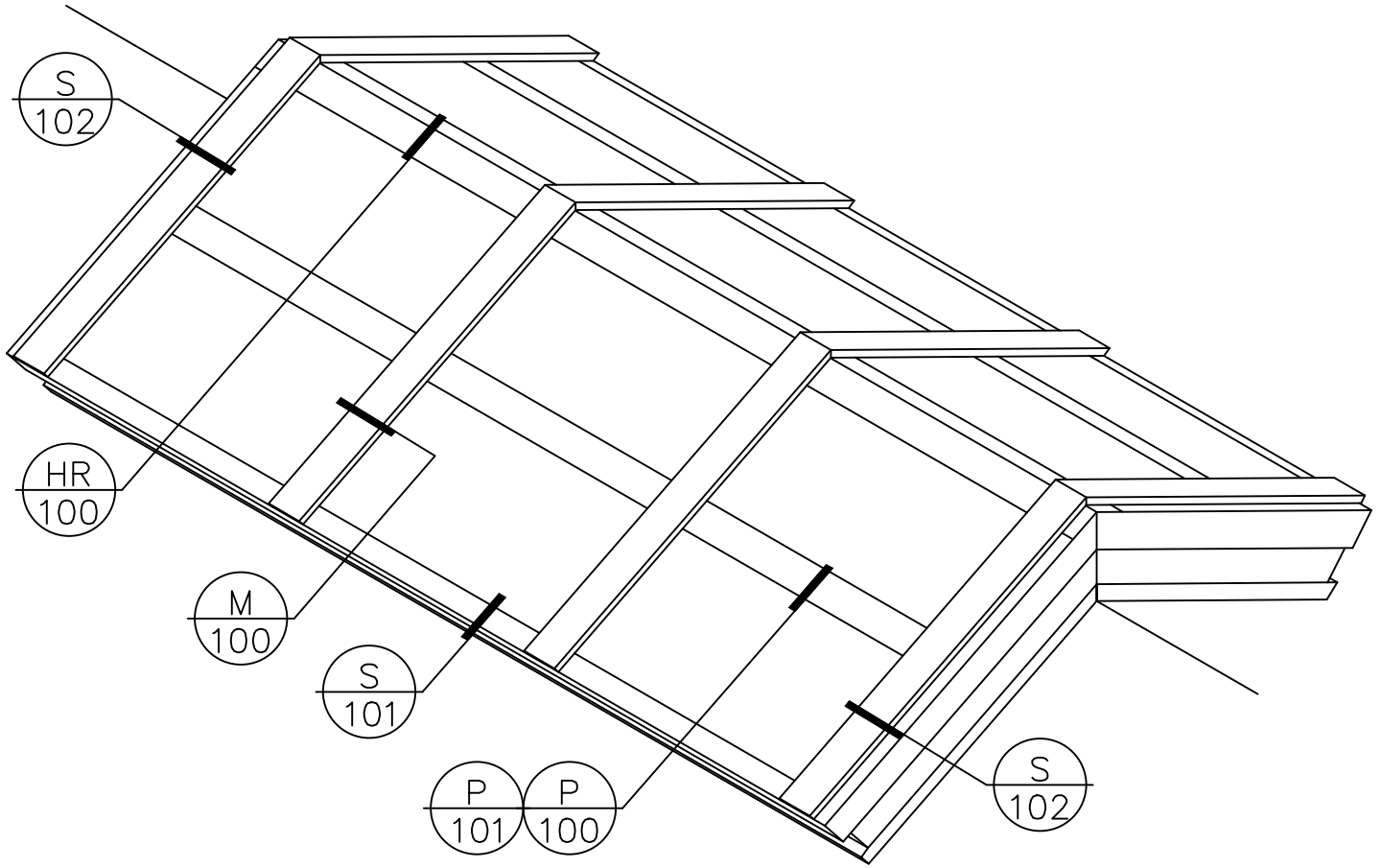


STRUCTURAL RIDGE

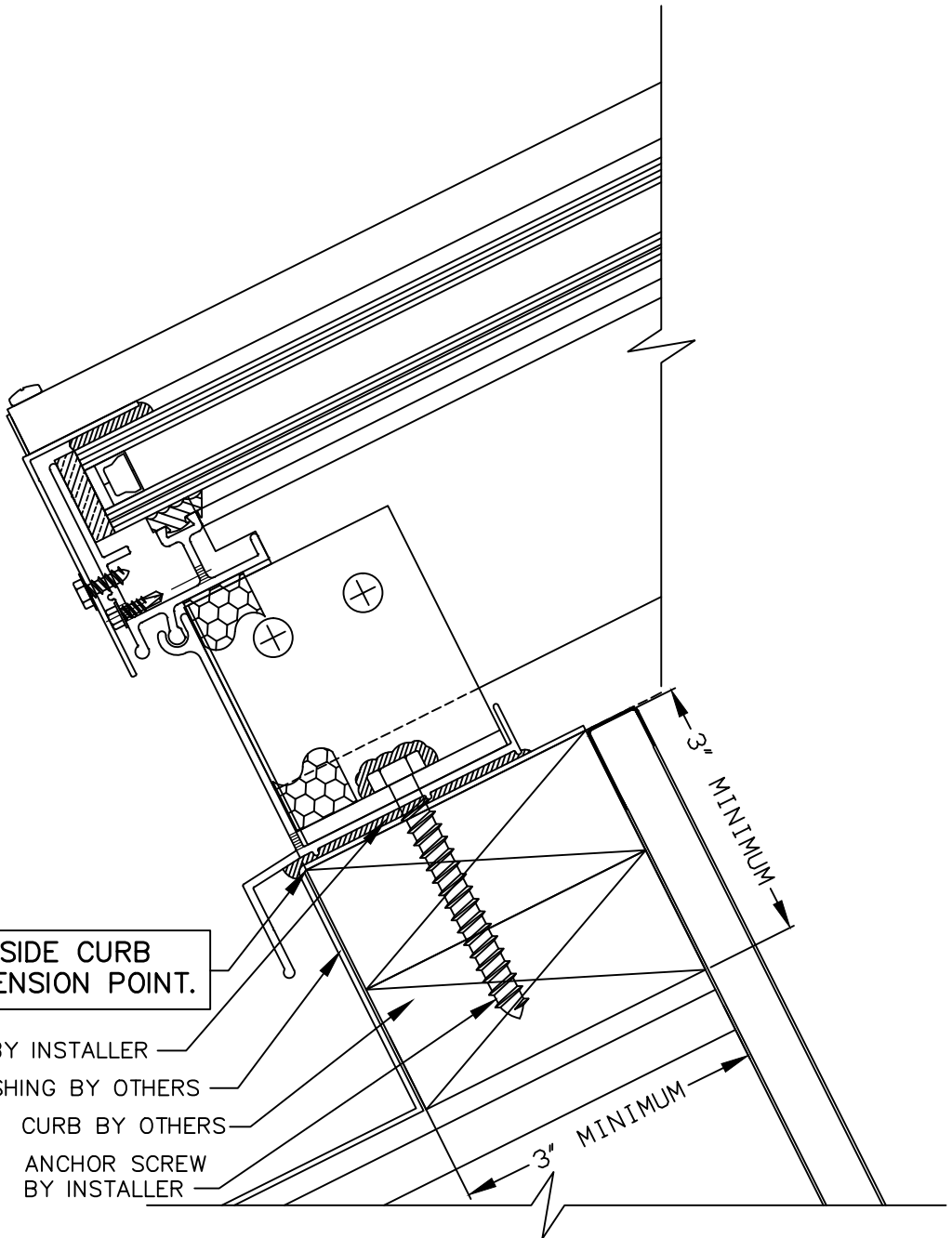


An AiA Industries Company

290 East 56th Avenue
Denver, CO 80216
(303) 296-9696
dalyte.co

INFINITE SKY
STRUCTURAL SKYLIGHT
RIDGE

PLAN
ISO



OUTSIDE CURB
DIMENSION POINT.

- SEALANT BY INSTALLER
- CURB FLASHING BY OTHERS
- CURB BY OTHERS
- ANCHOR SCREW BY INSTALLER

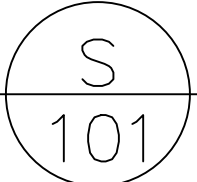


An AiA Industries Company

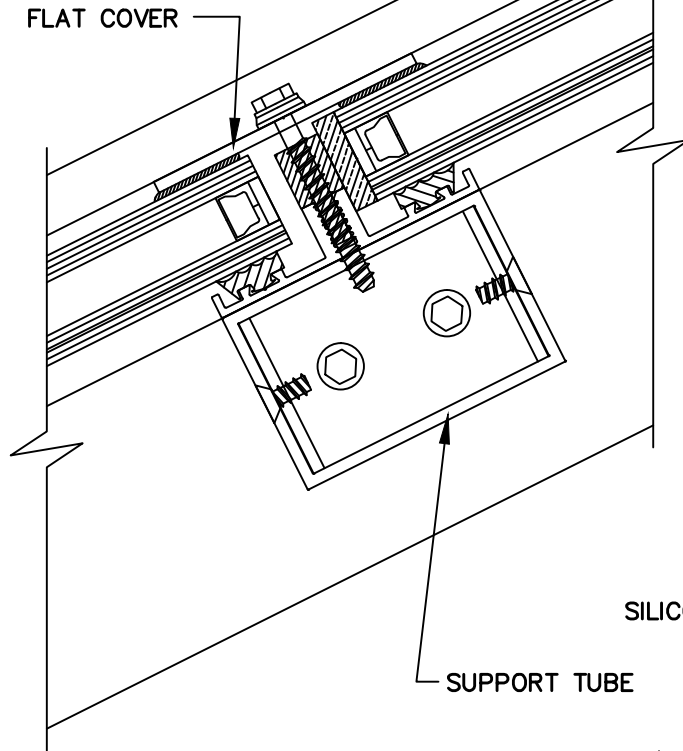
290 East 56th Avenue
 Denver, CO 80216
 (303) 296-9696
 dalyte.co

INFINITE SKY
 STRUCTURAL RIDGE

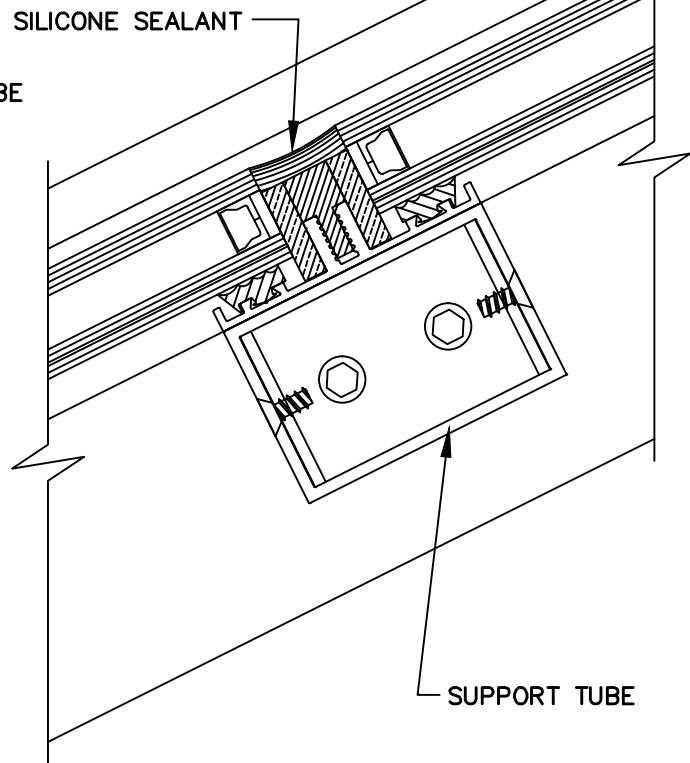
SILL



STANDARD PURLIN
WITH FLAT COVER



BUTT GLAZED
PURLIN OPTION

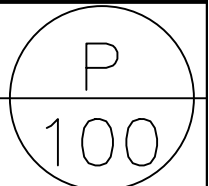


An AiA Industries Company

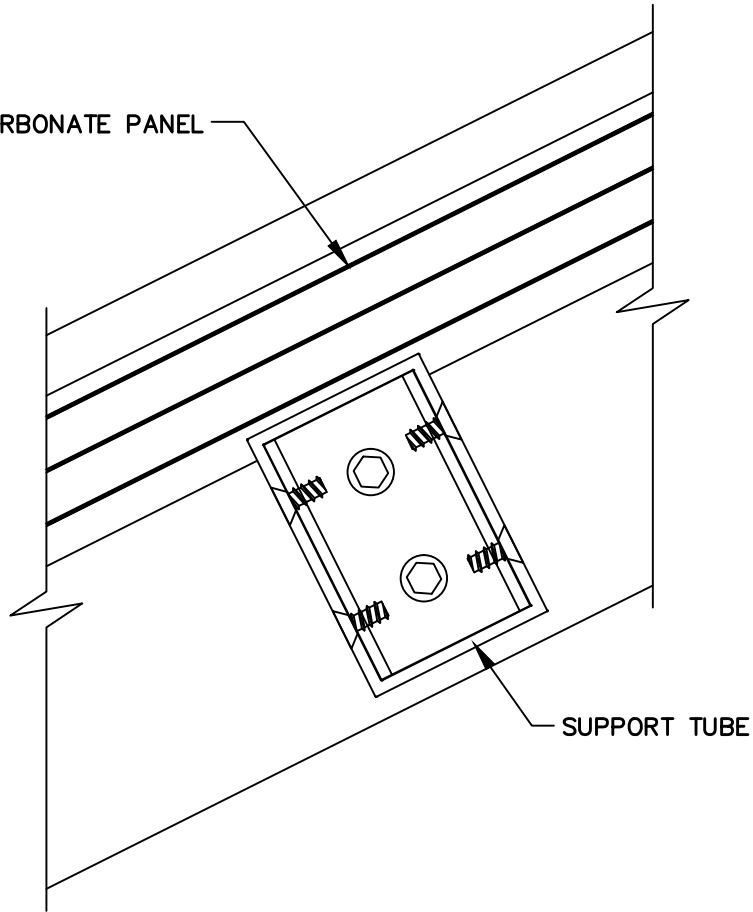
290 East 56th Avenue
Denver, CO 80216
(303) 296-9696
dalyte.co

INFINITE SKY
STRUCTURAL RIDGE

PURLIN



POLYCARBONATE PANEL



SUPPORT TUBE

FOR MULTIWALL
POLYCARBONATE PANELS ONLY

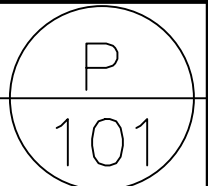


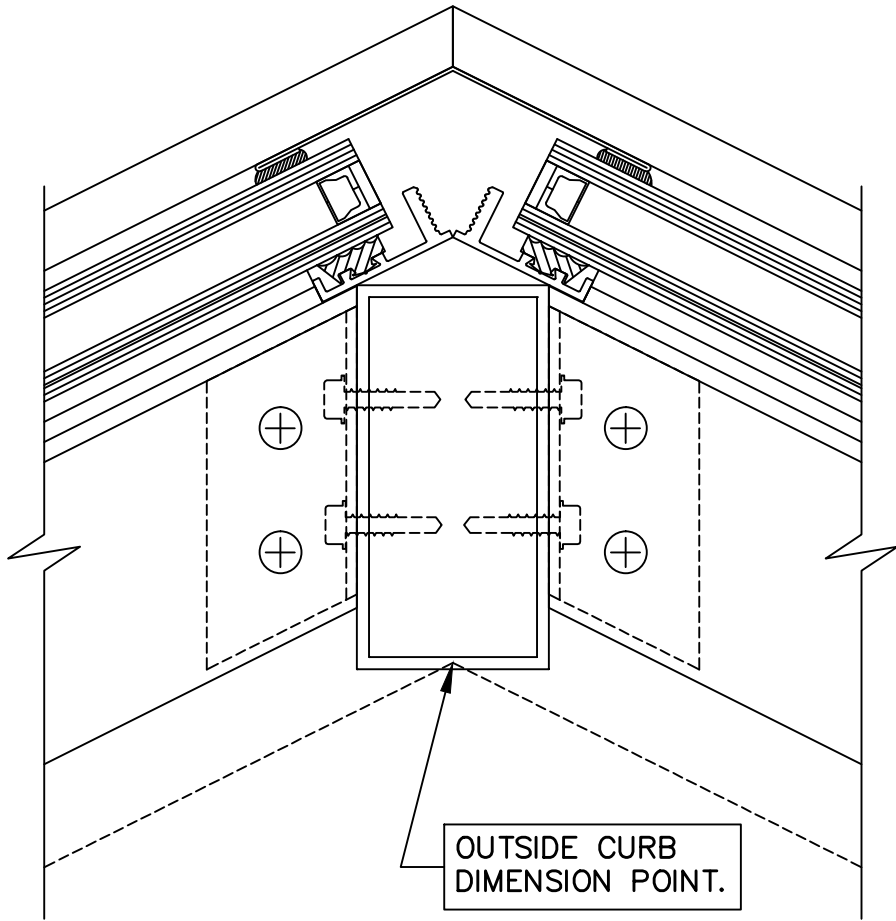
An AiA Industries Company

290 East 56th Avenue
Denver, CO 80216
(303) 296-9696
dalyte.co

INFINITE SKY
STRUCTURAL RIDGE

PURLIN





OUTSIDE CURB
DIMENSION POINT.



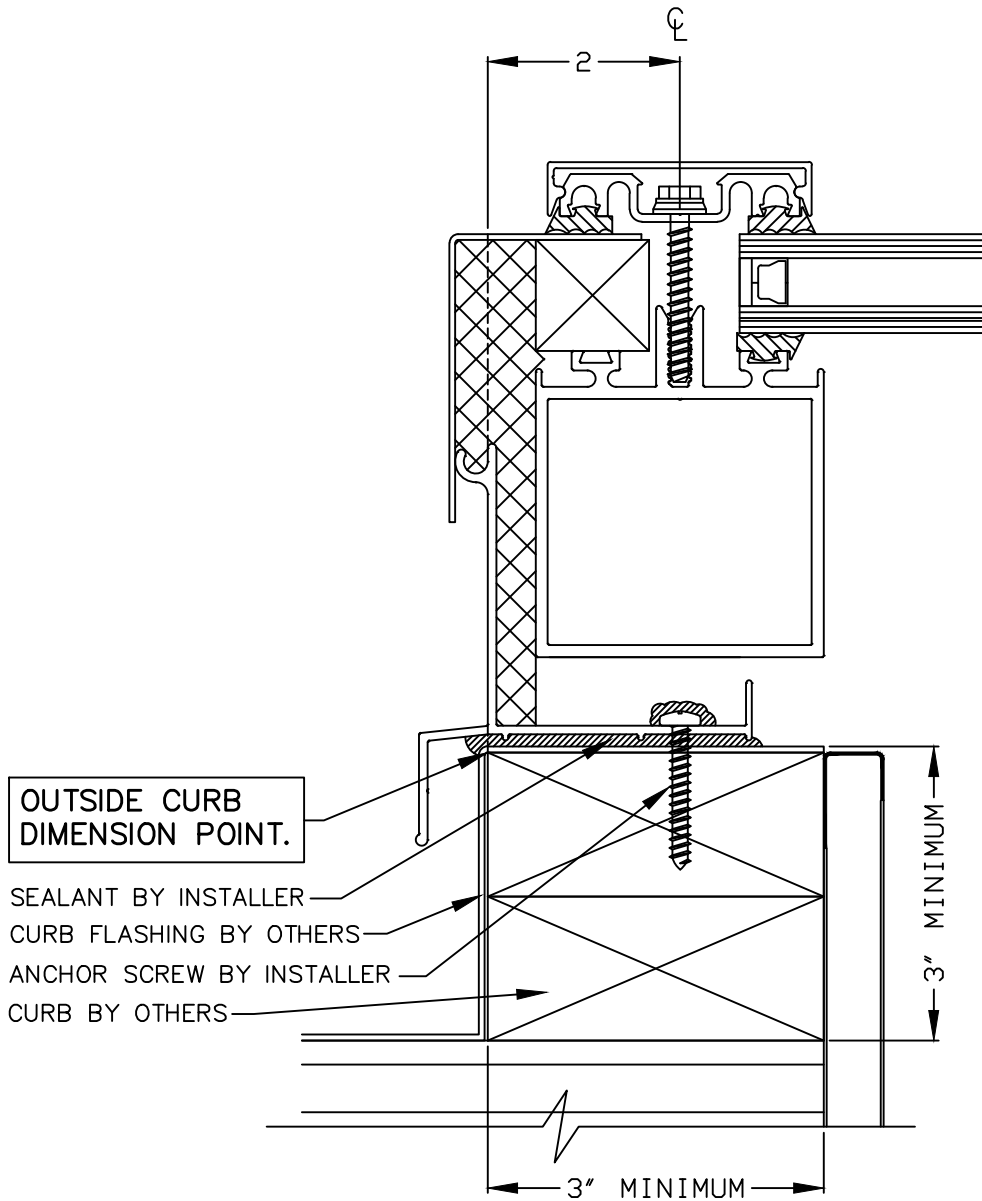
An AiA Industries Company

290 East 56th Avenue
Denver, CO 80216
(303) 296-9696
dalyte.co

INFINITE SKY
STRUCTURAL RIDGE

RIDGE

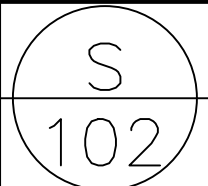


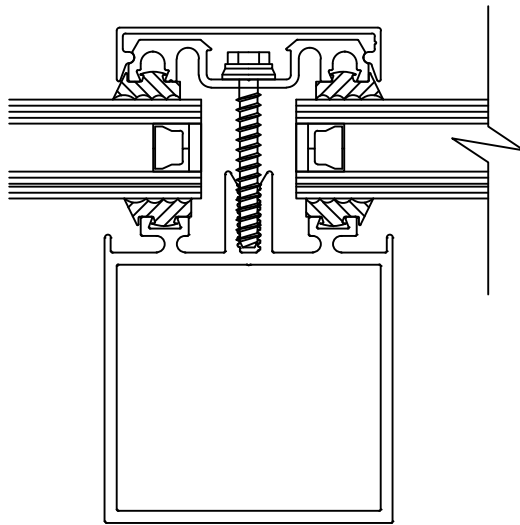


An AiA Industries Company

290 East 56th Avenue
 Denver, CO 80216
 (303) 296-9696
 dalyte.co

INFINITE SKY
 STRUCTURAL RIDGE
END RAFTER





An AiA Industries Company

290 East 56th Avenue
Denver, CO 80216
(303) 296-9696
dalyte.co

INFINITE SKY
STRUCTURAL RIDGE

RAFTER

