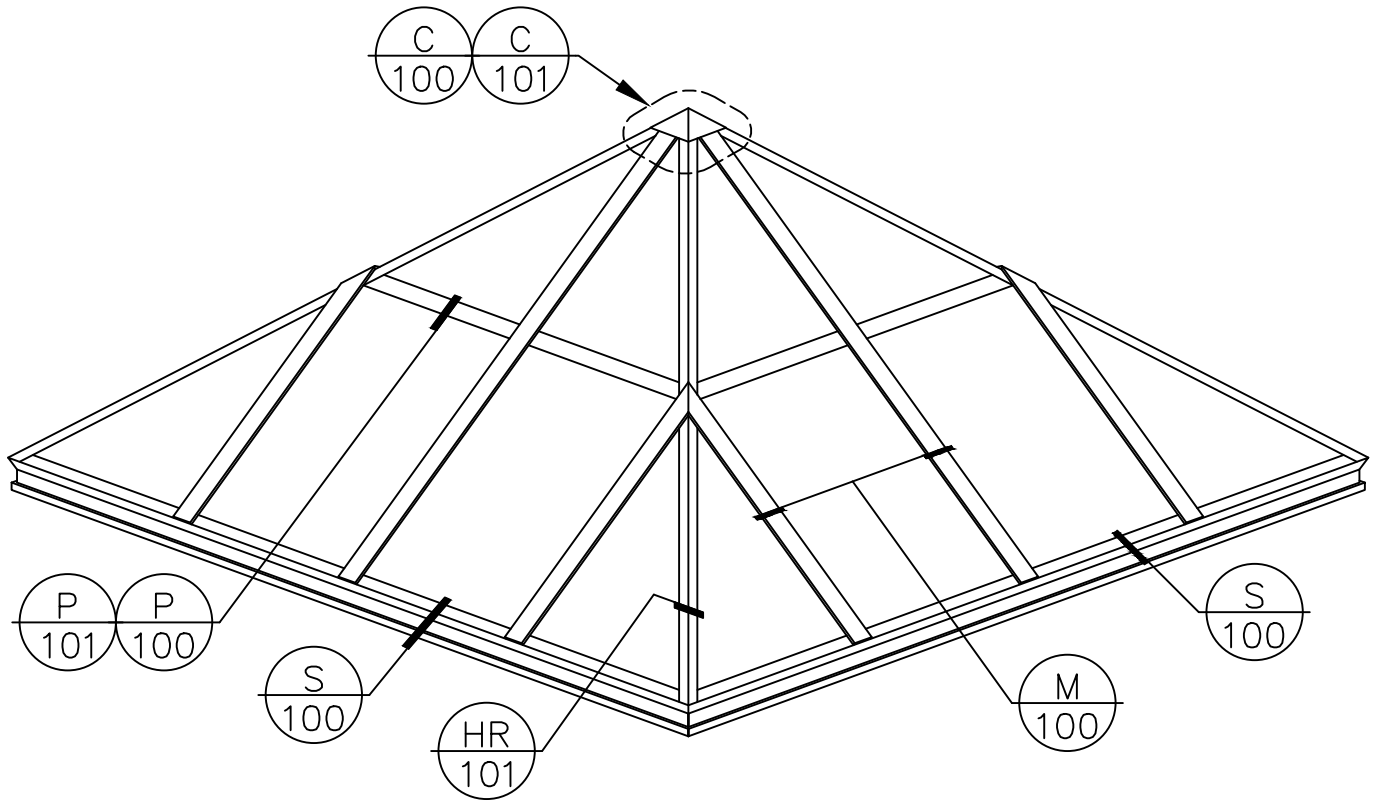


STRUCTURAL PYRAMID

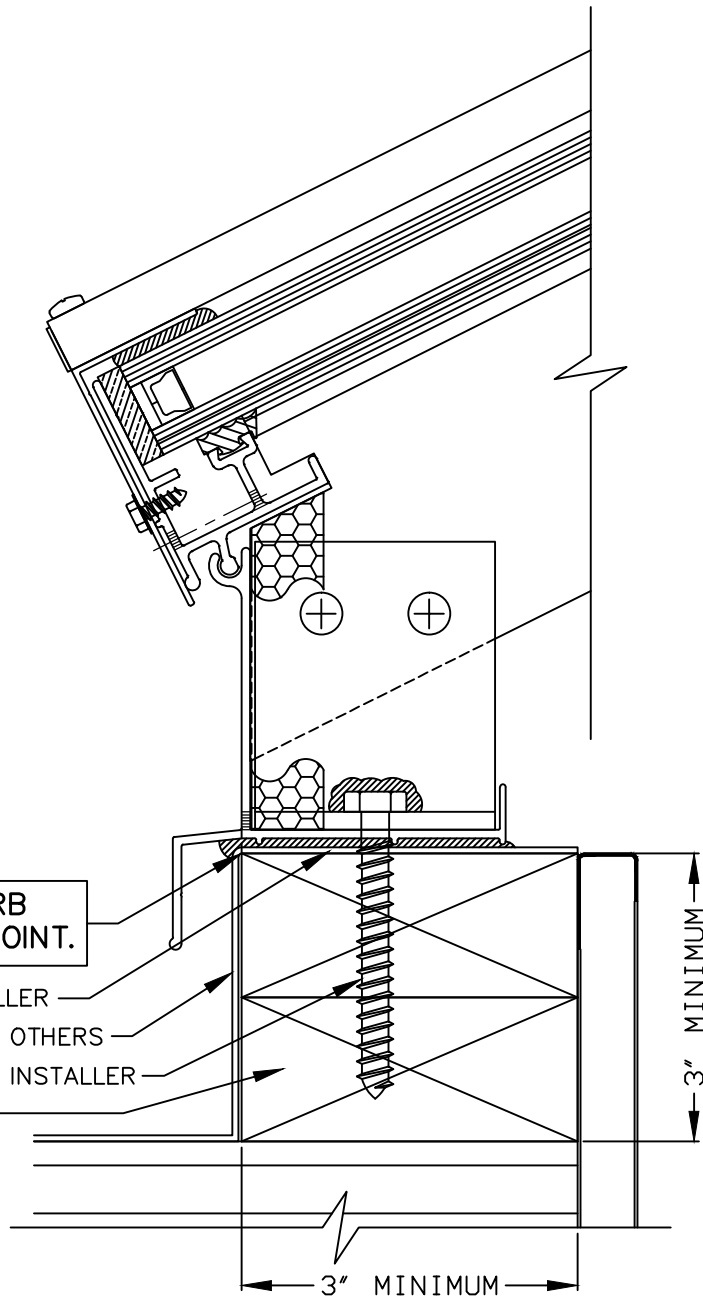


An AiA Industries Company

290 East 56th Avenue
Denver, CO 80216
(303) 296-9696
dalyte.co

INFINITE SKY
STRUCTURAL SKYLIGHT
PYRAMID

PLAN
ISO



OUTSIDE CURB
DIMENSION POINT.

- SEALANT BY INSTALLER
- CURB FLASHING BY OTHERS
- ANCHOR SCREW BY INSTALLER
- CURB BY OTHERS

3" MINIMUM

3" MINIMUM

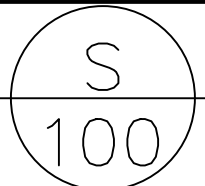


An AiA Industries Company

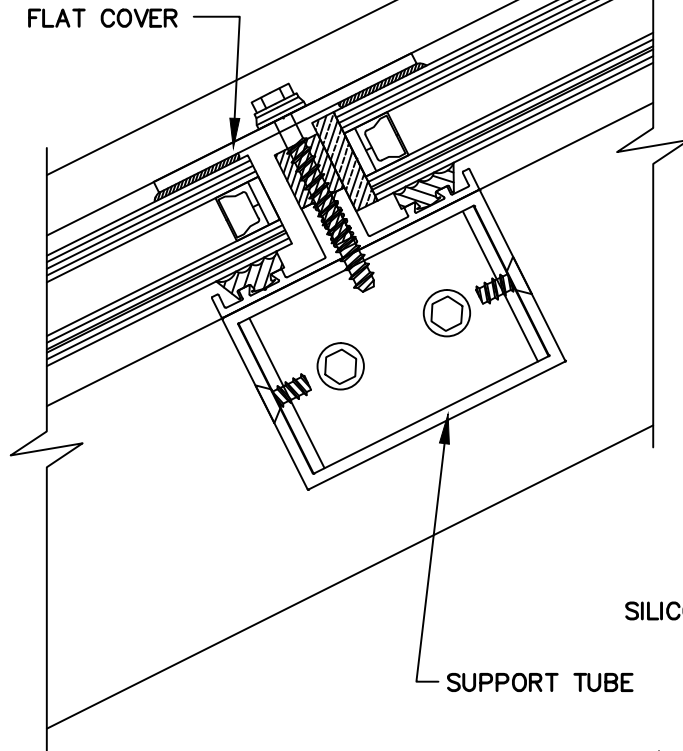
290 East 56th Avenue
 Denver, CO 80216
 (303) 296-9696
 dalyte.co

INFINITE SKY
 STRUCTURAL PYRAMID

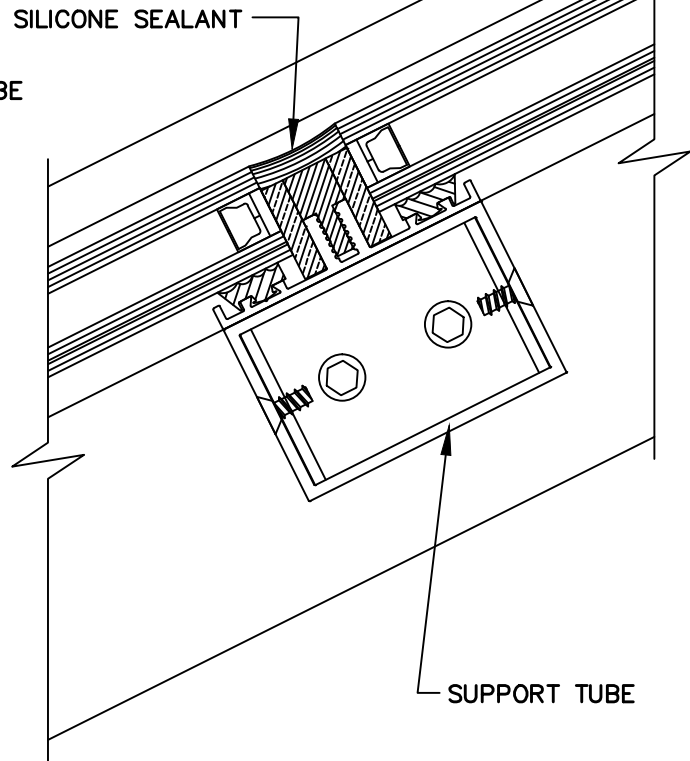
SILL



STANDARD PURLIN
WITH FLAT COVER



BUTT GLAZED
PURLIN OPTION

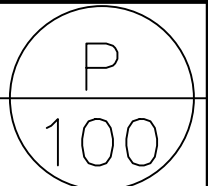


An AiA Industries Company

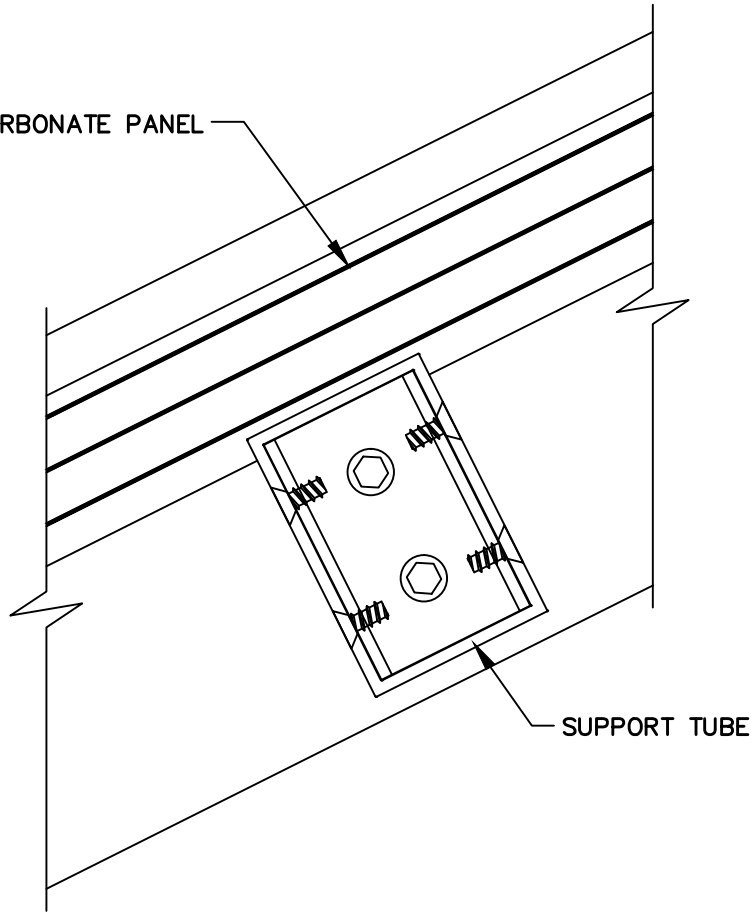
290 East 56th Avenue
Denver, CO 80216
(303) 296-9696
dalyte.co

INFINITE SKY STRUCTURAL
PYRAMID

PURLIN



POLYCARBONATE PANEL



SUPPORT TUBE

FOR MULTIWALL
POLYCARBONATE PANELS ONLY

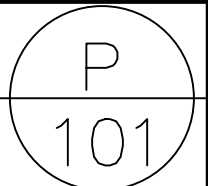


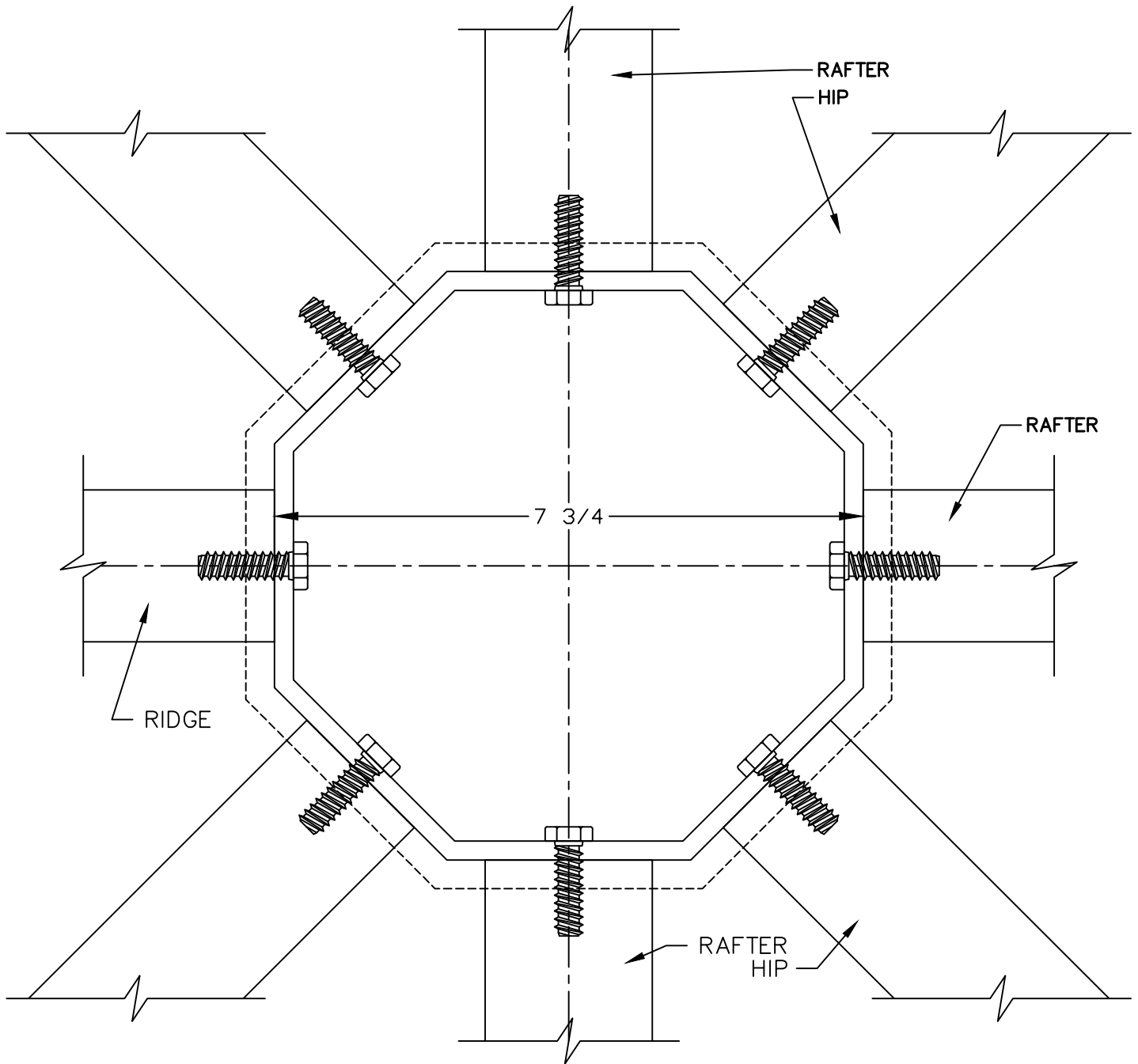
An AiA Industries Company

290 East 56th Avenue
Denver, CO 80216
(303) 296-9696
dalyte.co

INFINITE SKY
STRUCTURAL PYRAMID

PURLIN

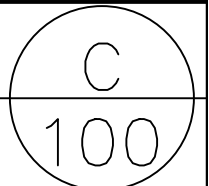


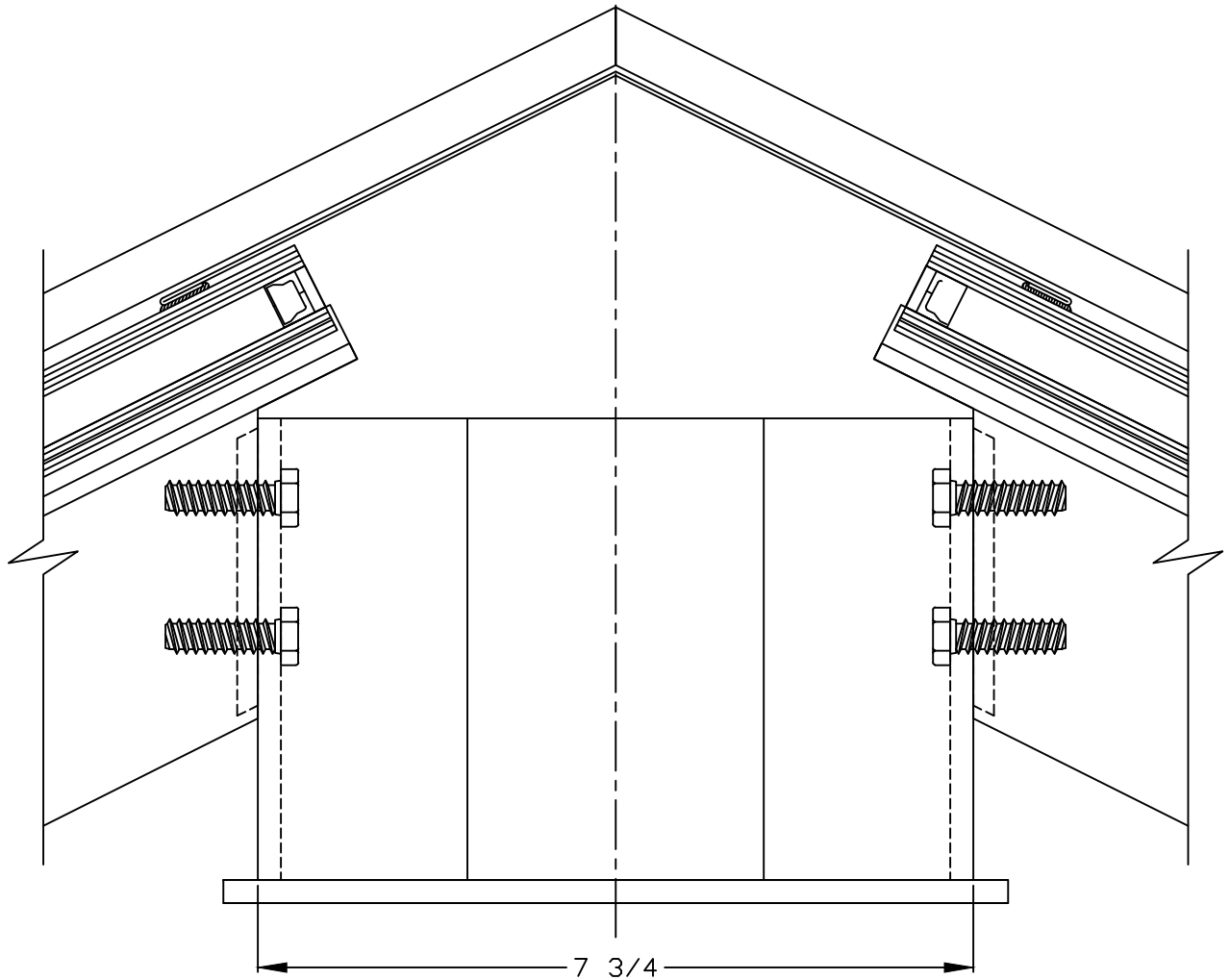


An AiA Industries Company

290 East 56th Avenue
 Denver, CO 80216
 (303) 296-9696
 dalyte.co

INFINITE SKY
 STRUCTURAL PYRAMID
 COMPRESSION RING
 PLAN

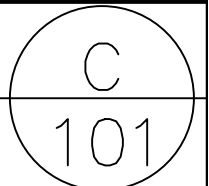


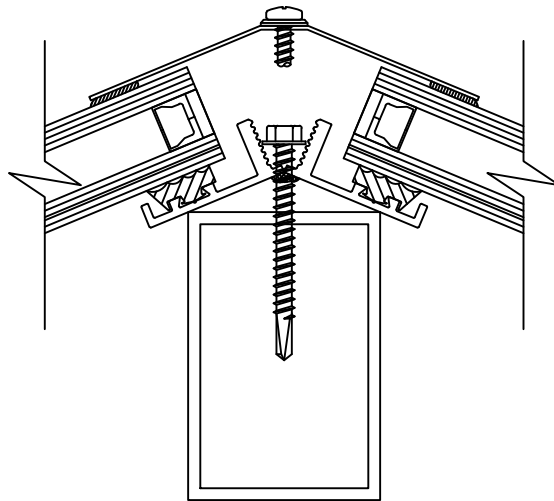


An AiA Industries Company

290 East 56th Avenue
 Denver, CO 80216
 (303) 296-9696
 dalyte.co

INFINITE SKY
 STRUCTURAL PYRAMID
 COMPRESSION
 RING SECTION



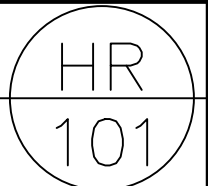


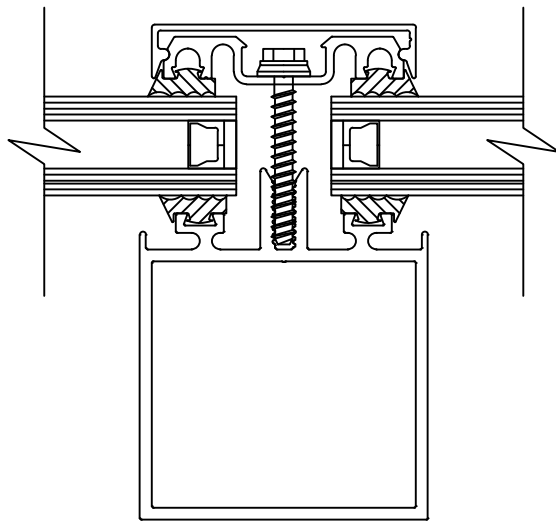
An AiA Industries Company

290 East 56th Avenue
Denver, CO 80216
(303) 296-9696
dalyte.co

INFINITE SKY
STRUCTURAL PYRAMID

HIP





An AiA Industries Company

290 East 56th Avenue
Denver, CO 80216
(303) 296-9696
dalyte.co

INFINITE SKY
STRUCTURAL PYRAMID

RAFTER

